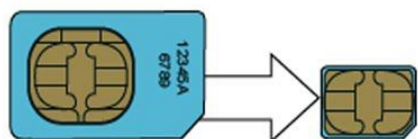
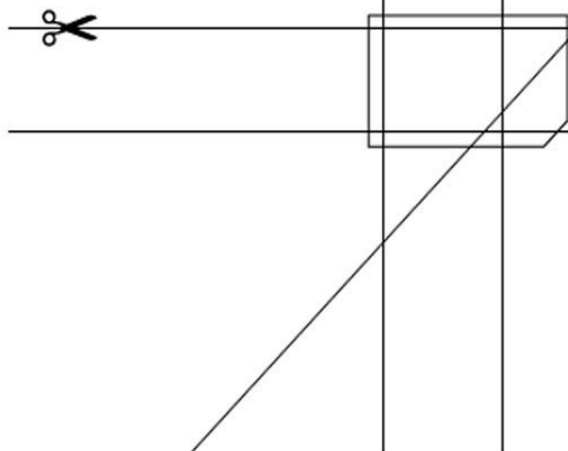
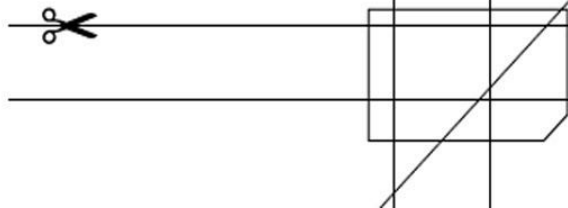


MiniSIM (2FF) to MicroSIM (3FF)



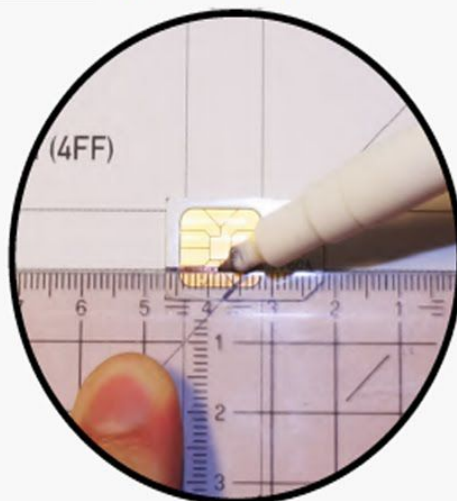
MiniSIM (2FF) to NanoSIM (4FF)



## How To Cut SIM Cards

Follow these instructions at your own risk. Cutting your SIM card may destroy it!

1. Print this page at 100% scale on a DIN A4 page.
2. Fix your SIM card with double-sided tape to this template.



3. Use a ruler and a marker to draw the cut lines onto your SIM card.

