

Name _____

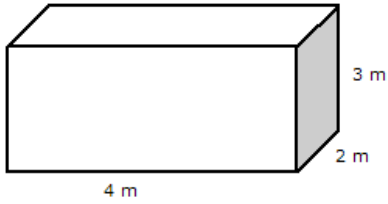
Done Together In Class

Calculating Volumes of Rectangular Prisms

Find the volume of each rectangular prism and write it on the line.

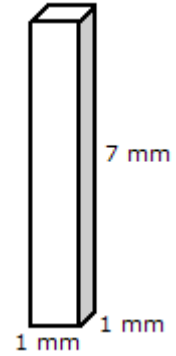
Be sure to include the correct units.

#1



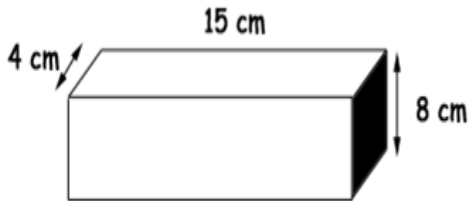
Volume = _____

#2



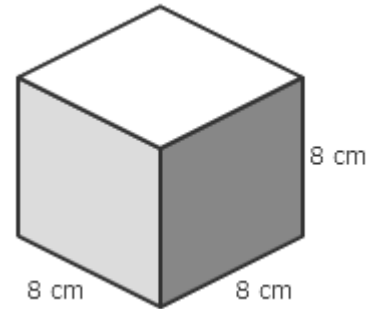
Volume = _____

#3



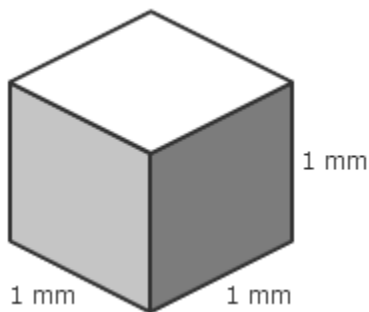
Volume = _____

#4



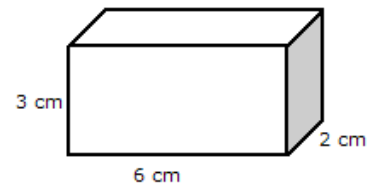
Volume = _____

#5



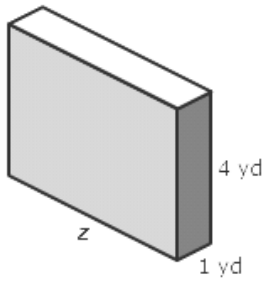
Volume = _____

#6



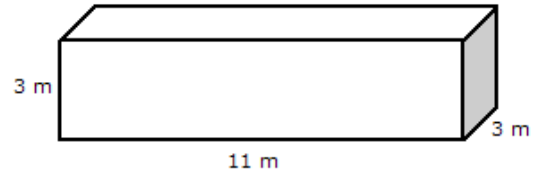
Volume = _____

#7



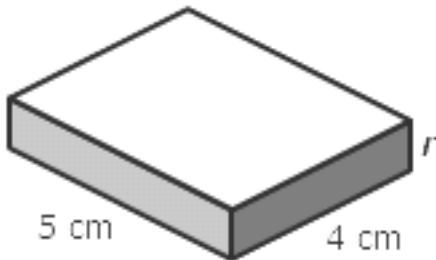
The volume of this rectangular prism is 24 yd^3 .
What is the missing measurement for z ?

#8



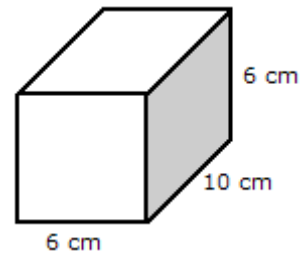
Look at the horse trough above.
What is its volume?

#9



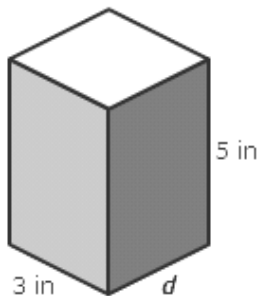
The volume of this rectangular prism is 20 cm^3 .
What is the missing measurement for r ?

#10



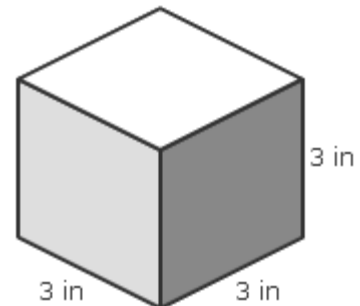
Look at the recipe card box above.
What is its volume?

#11



The volume of this rectangular prism is 60 in^3 .
What is the missing measurement for d ?

#12



Look at the ornament box above.
What is its volume?

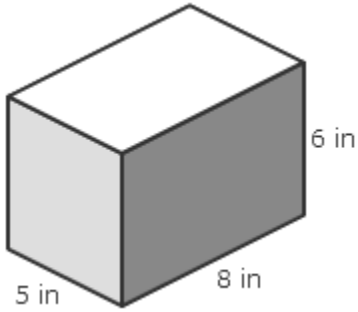
Name _____

Done With Partners

Calculating Volumes of Rectangular Prisms

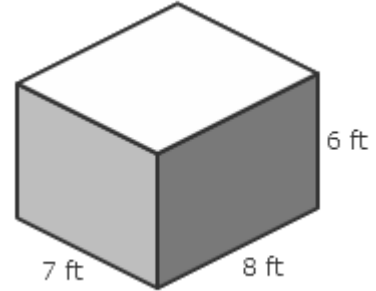
Find the volume of each rectangular prism and write it on the line.
Be sure to include the correct units.

#1



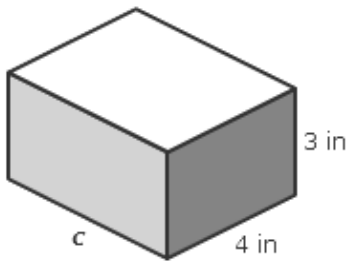
Volume = _____

#2



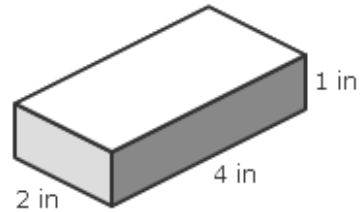
Volume = _____

#3



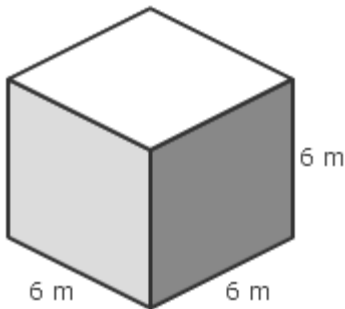
The volume of this rectangular prism is 72 in^3 .
What is the missing measurement for c ?

#4



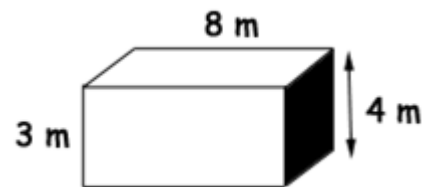
Look at the dollhouse drawer above.
What is its volume?

#5



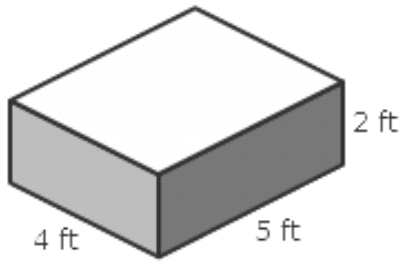
Volume = _____

#6



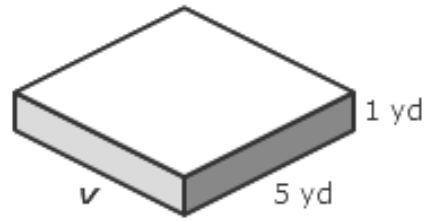
Volume = _____

#7



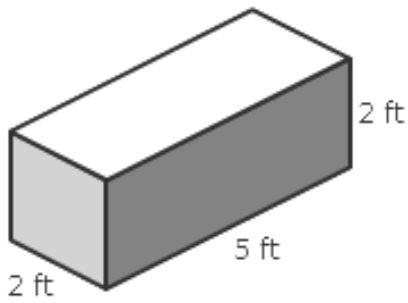
Look at the sandbox above.
What is its volume?

#8



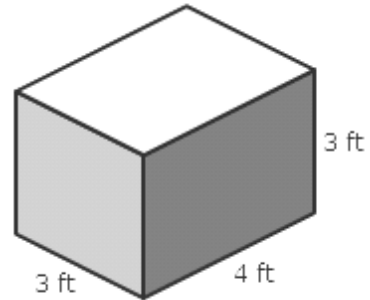
The volume of this rectangular prism is 30 yd^3 .
What is the missing measurement for v ?

#9



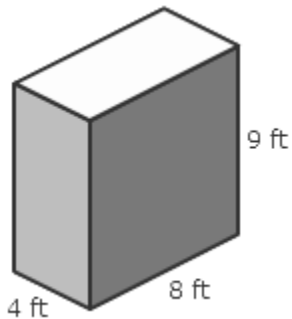
Volume = _____

#10



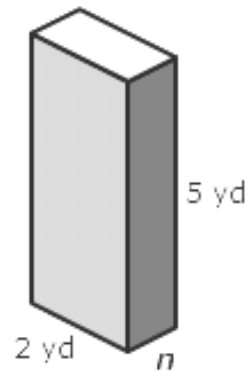
Volume = _____

#11



Look at the pop tarts box above.
What is its volume?

#12



The volume of this rectangular prism is 10 yd^3 .
What is the missing measurement for n ?

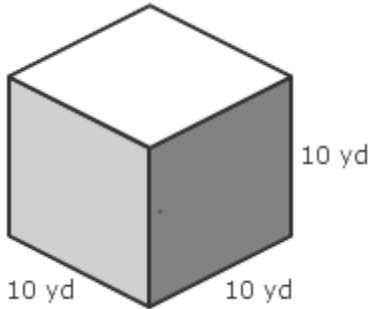
Name _____

GRADED ASSIGNMENT

Calculating Volumes of Rectangular Prisms

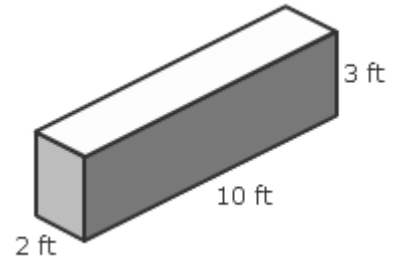
*Find the volume of each rectangular prism and write it on the line.
Be sure to include the correct units.*

#1



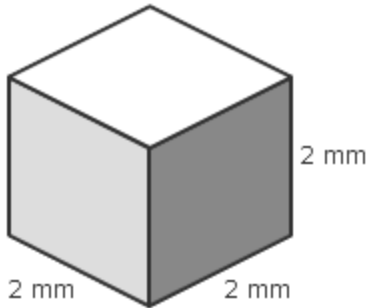
Volume = _____

#2



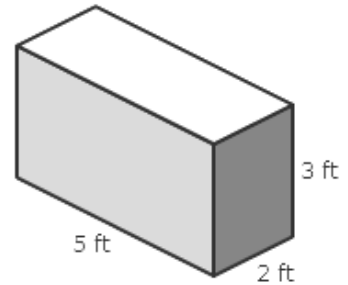
Volume = _____

#3



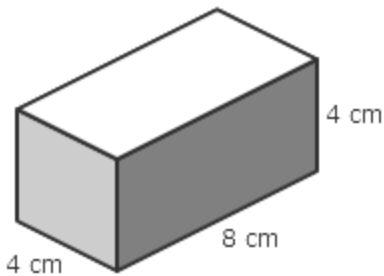
Volume = _____

#4



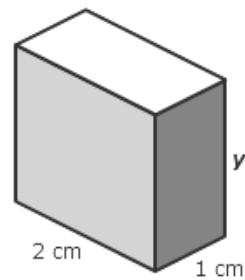
Volume = _____

#5



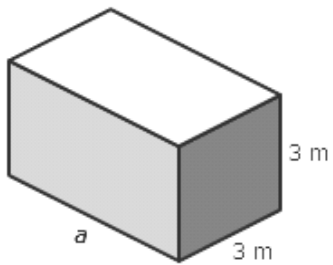
Look at the pencil box above.
What is its volume?

#6



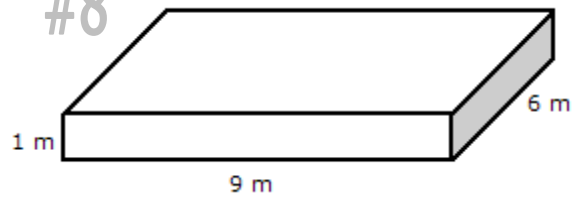
The volume of this rectangular prism is 16 cm^3 .
What is the missing measurement for y ?

#7



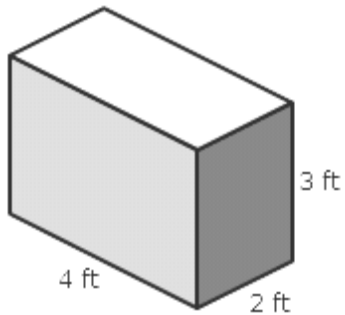
The volume of this rectangular prism is 90 m^3 .
 What is the missing measurement for a ?

#8



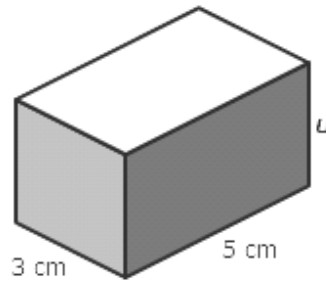
Look at the toddler swimming pool above.
 What is its volume?

#9



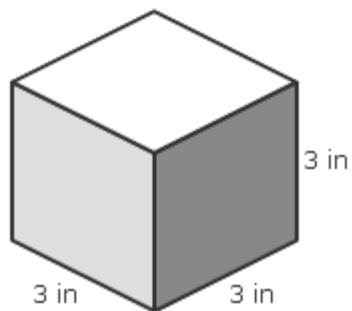
Look at the fish tank above.
 What is its volume?

#10



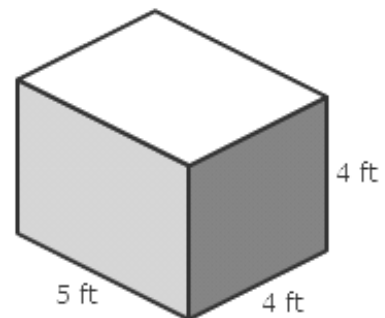
The volume of this rectangular prism is 60 cm^3 .
 What is the missing measurement for u ?

#11



Volume = _____

#12



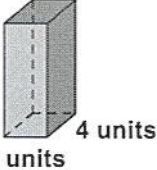
Volume = _____

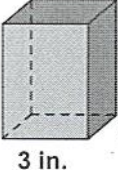
Calculating Volume of Rectangular Prisms

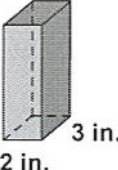
Find the volume of each rectangular prism.
Be sure to include the correct units.

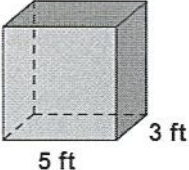
Remember:

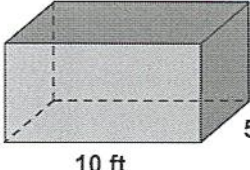
The volume of a rectangular prism is
LENGTH x WIDTH x HEIGHT

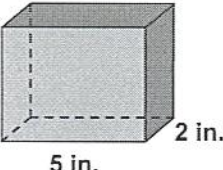
1.  8 units
3 units 4 units
Volume = _____

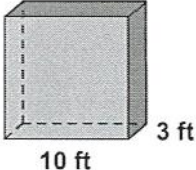
2.  4 in.
3 in. 2 in.
Volume = _____

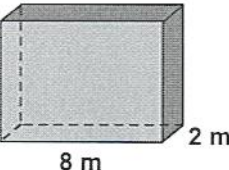
3.  6 in.
2 in. 3 in.
Volume = _____

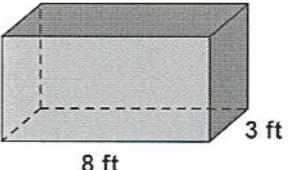
4.  5 ft
5 ft 3 ft
Volume = _____

5.  5 ft
10 ft 5 ft
Volume = _____

6.  4 in.
5 in. 2 in.
Volume = _____

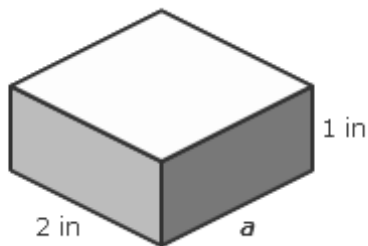
7.  10 ft
10 ft 3 ft
Volume = _____

8.  6 m
8 m 2 m
Volume = _____

9.  4 ft
8 ft 3 ft
Volume = _____

#10

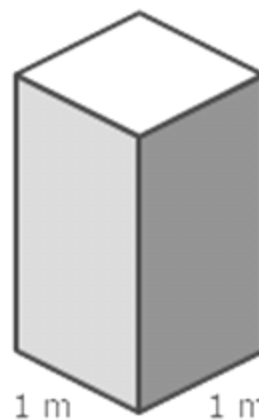
The volume of this rectangular prism is 8 in^3 .



What is the missing measurement for the value of a ?

#11

The volume of this rectangular prism is 3 m^3 .



What is its height?

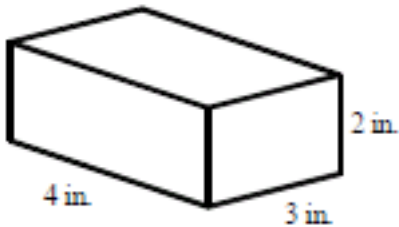
Calculating Volume of Rectangular Prisms

Find the volume of each rectangular prism.
Be sure to include the correct units.

Remember:

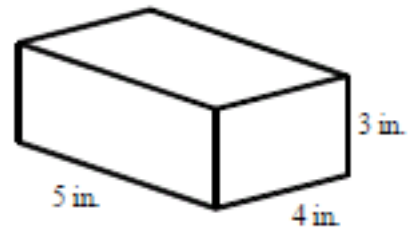
The volume of a rectangular prism is
AREA of Base x HEIGHT of the prism

#1



Volume = _____

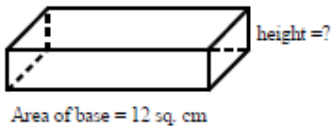
#2



Volume = _____

#3

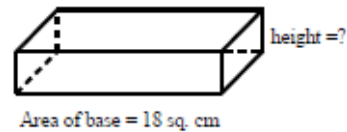
The rectangular prism below has a volume of 24 cm^3 . What is its height?



Volume = _____

#4

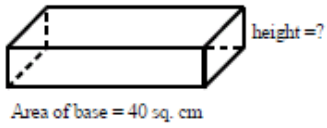
The rectangular prism below has a volume of 36 cm^3 . What is its height?



Volume = _____

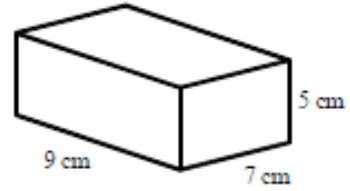
#5

The rectangular prism below has a volume of 120 cm^3 . What is its height?



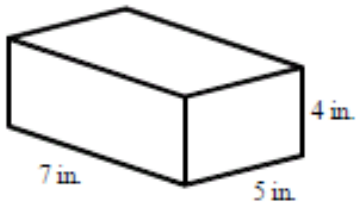
Volume = _____

#6



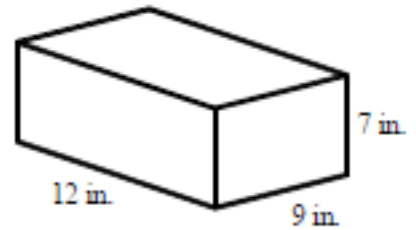
Volume = _____

#7



Volume = _____

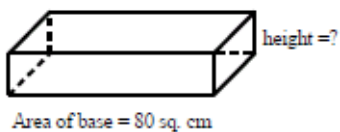
#8



Volume = _____

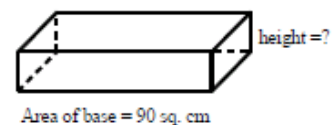
#9

The rectangular prism below has a volume of 320 cm^3 . What is its height?



#10

The rectangular prism below has a volume of 360 cm^3 . What is its height?



Name _____

Homework #3

Front and Back

Calculating Volume of Rectangular Prisms

*Find the volume of each rectangular prism.
Be sure to include the correct units.*

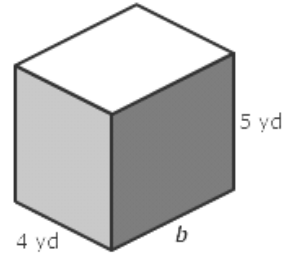
Remember:

The volume of a rectangular prism is
LENGTH x WIDTH x HEIGHT

#1

The volume of this rectangular prism is 60 yd^3 .

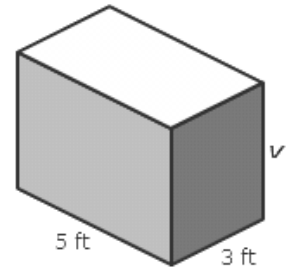
What is the missing measurement for the value of b ?



#2

The volume of this rectangular prism is 60 ft^3 .

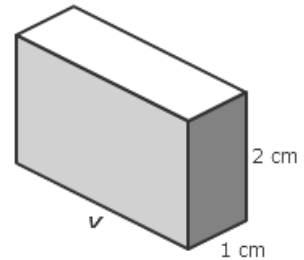
What is its height?



#3

The volume of this rectangular prism is 10 cm^3 .

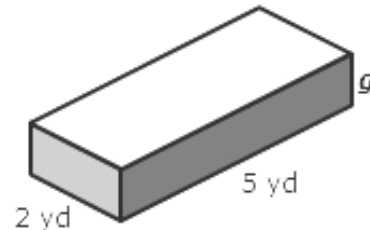
What is the missing measurement for the value of v ?



#4

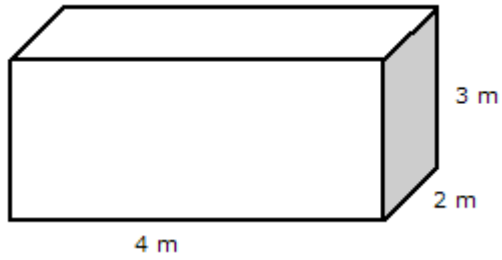
The volume of this rectangular prism is 10 yd^3 .

What is its height?



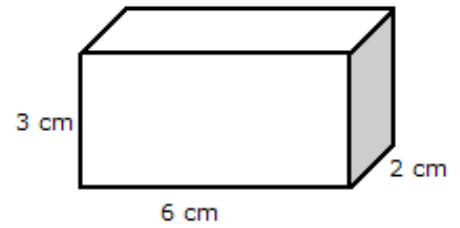
(Front and Back)

#5



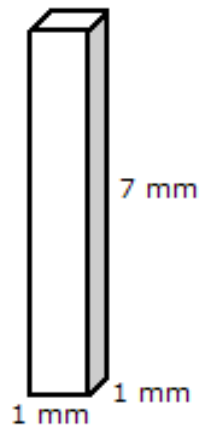
Volume = _____

#6



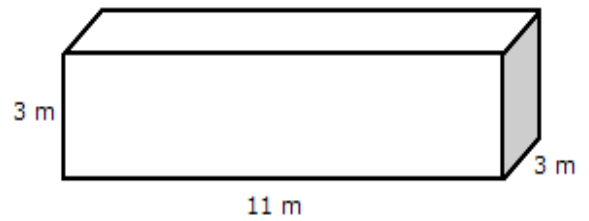
Volume = _____

#7



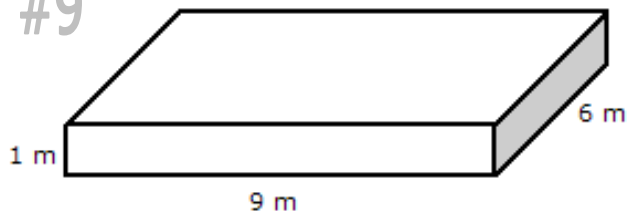
Volume = _____

#8



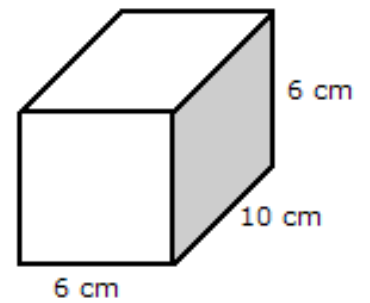
Volume = _____

#9



Volume = _____

#10



Volume = _____